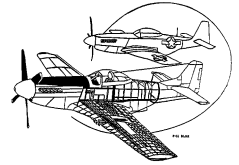


<i>Cal Pacific Airmotive, Inc.</i>	Mandatory Service Bulletin	S.B. No. P51-001 Supplement No. 1
Title: Inspection of Flight Control System	North American Aviation P-51B, P-51C, P-51D, P-51K, F-51D, F-51K	Issue Date 5-1-2013 Page 1 of 2



Supplement No. 1

ATTENTION: All North American Aviation P-51 Owners, Operators, and Service personnel. Failure to comply could cause loss of control of the aircraft.

BACKGROUND:

Supplement No. 1 to Service Bulletin P51-001 dated May 1, 2013 is to correct information contained in AN 01-60JE-2 Handbook Maintenance Instructions USAF Series F-51D, ZF-51K, F-51M, TF-51D dated December 20, 1944, revised December 20, 1952. Handbook page 84 figure 90 "Installing Aileron Trim Tab" incorrectly notes P/N NAS220-9 and NAS220-11 (8-32 thread structural screws) to be installed in spline nut P/N 22D8-02 (or 22ND8-02) 10-32 thread. This spline nut is installed in each of the trim tab hinge fittings P/N 73-22007.

This Handbook is FAA approved for use in the Limited Type Certificate LTC-11-5 and is also reference for P-51D thru P-51K aircraft. A copy of figure 90 was included in Service Bulletin P51-001, dated May 1, 2013 page 7.

Immediate Action required:

1. Refer to Parts Catalog AN 01-60JE-4 USAF Series F-51D, TF-51D and F-51K Aircraft dated March 10, 1945, revised May 15, 1953, page 20D figure 4B "Aileron Assembly" index no. 33 to install the correct part number structural screw NAS221 series (10-32 thread). This parts catalog is also reference for the P-51D thru P-51K aircraft. Length of screw may vary from those published in the North American Aviation & USAF maintenance and parts manuals if trim tab is original, rebuilt, phenolic or metal covered.
2. When installing structural screws to secure the trim tab to the hinge fitting P/N 73-22007, make sure the screw shank does not bottom in the threads of the spline nut and at least one full thread extends through the locking nut insert.

Continued Page 2

Cal Pacific Airmotive, Inc.	Mandatory Service Bulletin	S.B. No. P51-001 Supplement 1
Title: Inspection of Flight Control System	North American Aviation P-51B, P-51C, P-51D, P-51K, F-51D, F-51K	Issue Date 5-1-2013 Page 2 of 2

Supplement No. 1

- Attach this Supplement No.1 to Service Bulletin P51-001 dated May 1, 2013 to update page 7 figure 90 "Installing Aileron Trim Tabs" with figure 90 below to reflect the correct P/N NAS221 Series structural screw 10-32 thread.

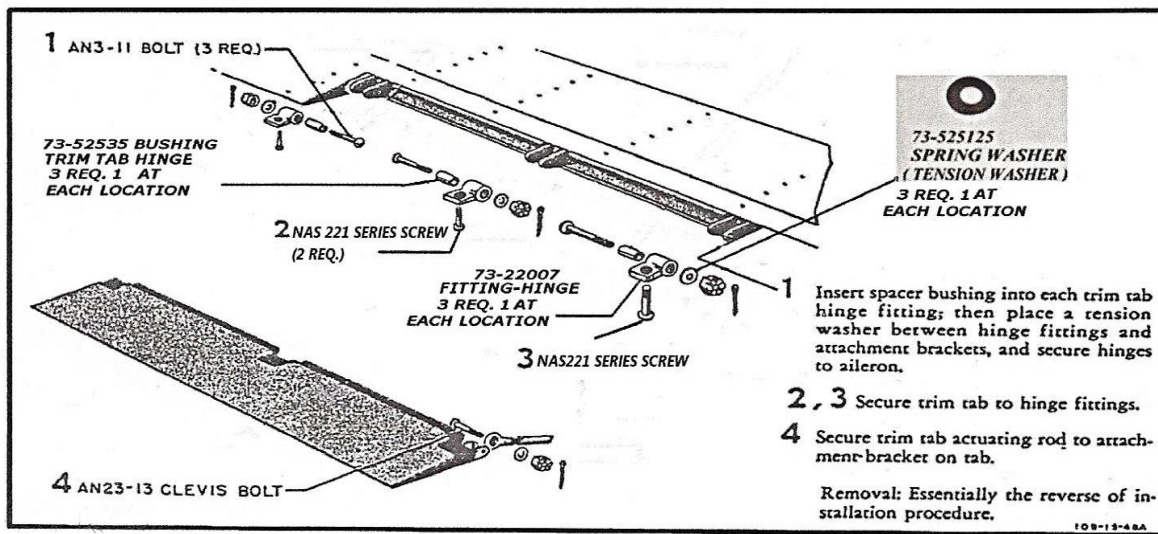


FIGURE 90- INSTALLING AILERON TRIM TABS REVISED UNDER LTC-11-5 MAY 1 2013

- Apply the enclosed adhesive back revised figure 90 to AN 01-60JE-2 Handbook Maintenance Instructions for USAF Series F-51D, ZF-51K, F-51M, TF-51D dated December 20 1944, revised December 20 1952, page 84 figure 90 "Installation of Aileron Trim Tab" to reflect the correct structural Screw P/N NAS221 series 10-32 thread. Also update other manuals as may be deemed necessary.
- Use good maintenance practices to determine proper application of data from any USAF or NAA Technical Manual for P-51 series aircraft.

Information regarding Service Bulletins or replacements parts is available at www.calpacificairmotive.com